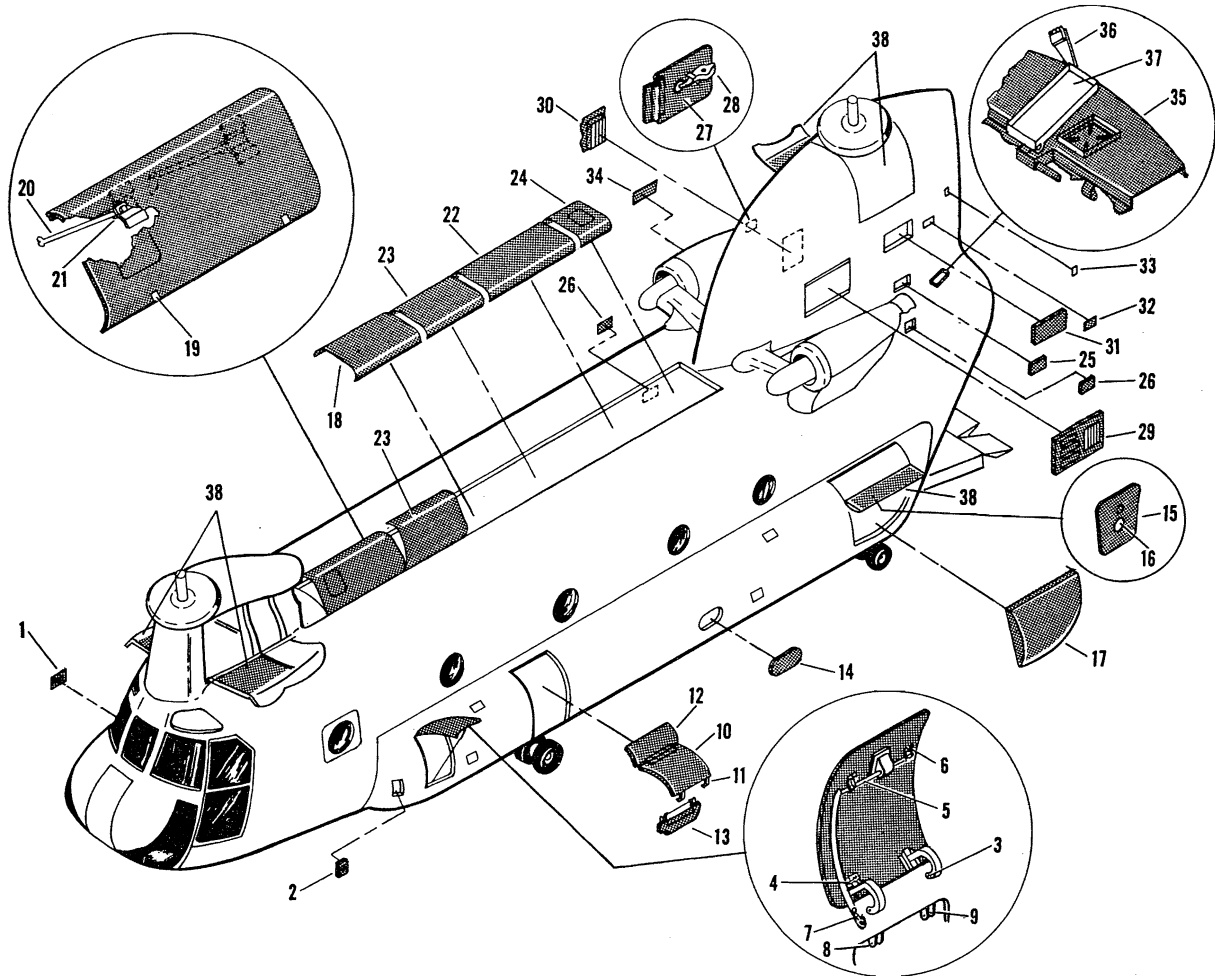


## ACCESS DOORS AND PANELS



- |    |                               |    |   |
|----|-------------------------------|----|---|
| 1  | INTERPHONE JACK COVER LATCH   | 21 | BRACKET   |
| 2  | EXTERNAL POWER COVER LATCH    | 22 | TUNNEL ACCESS COVER ASSY                            |
| 3  | BUSHING                       | 23 | TUNNEL ACCESS COVER ASSY                            |
| 4  | RETAINER                      | 24 | TUNNEL ACCESS COVER ASSY                            |
| 5  | SHAFT                         | 25 | XMSN OIL FILLER COVER ASSY                          |
| 6  | LATCH                         | 26 | RAMP ACTUATOR AND INTERPHONE JACK ACCESS COVER ASSY |
| 7  | RETAINER                      | 27 | FUEL SHUT-OFF COVER ASSY                            |
| 8  | FORWARD BRACKET               | 28 | LATCH   |
| 9  | AFT BRACKET                   | 29 | OIL COOLER FAN COVER ASSY                           |
| 10 | FWD LANDING GEAR ACCESS PANEL | 30 | OIL COOLER FAN COVER ASSY                           |
| 11 | LATCH                         | 31 | AFT ROTOR XMSN COVER ASSY                           |
| 12 | PANEL ASSY                    | 32 | PYLON REMOVAL COVER ASSY                            |
| 13 | PANEL ASSY                    | 33 | PYLON ACCESS COVER ASSY                             |
| 14 | FUEL PUMP ACCESS PANEL        | 34 | HYDRAULIC TEST COVER ASSY                           |
| 15 | COVER ASSY                    | 35 | APU ACCESS PANEL ASSY                               |
| 16 | LATCH                         | 36 | SUPPORT ARM ASSY                                    |
| 17 | AFT LANDING GEAR ACCESS PANEL | 37 | DRIP TRAY ASSY                                      |
| 18 | ANTENNA HOUSING ASSY          | 38 | WORK PLATFORMS                                      |
| 19 | TUNNEL ACCESS LATCH           |    |   |
| 20 | STRUT ASSY                    |    |   |